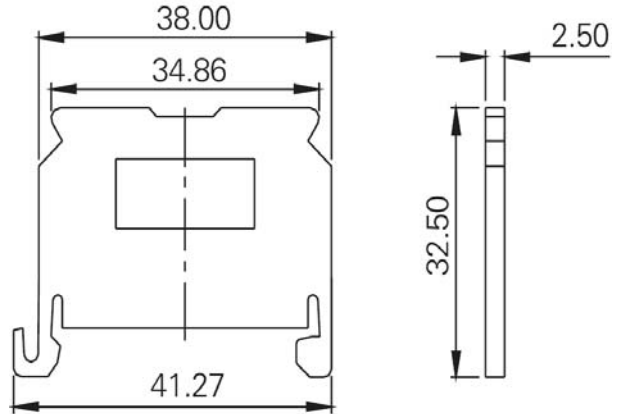


RAILMOUNTED TERMINAL BLOCKS — TB10/20/30D-END COVER



■ 图示(Pic. shown) : TB10/20/30D-End Cover-K

General:	End cover
	Insulation Material: PC , V2
	Wiring orientation: /
	Screw clamp unit: /

认证 ( Approval ) :

■ 技术参数 Technical Data	UL standard			IEC standard		
UL应用组别(UL Application group)	UL Application group			IEC过电压别/污染等级(IEC overvoltage category /pollution degree)		
IEC过电压别/污染等级(IEC overvoltage category /pollution degree)	B	C	D	III / 3	III / 2	II / 2
额定电压(Rated voltage)	--	--	--	--	--	--
额定电流(Rated current)	--	--	--	--	--	--
额定连接容量(Rated connection capacity)	--			--		
绝缘材料(Insulation Material)				PC , V2		
电流承载部件材料和镀层( Material & Plating of Current carrier )				--		
接线弹片材料(Material of Clamp spring )				--		
绝缘电阻(Insulation Resistance)				--		
耐电压(1分钟)(Withstanding Voltage/1Min)				--		
额定冲击电压(Rated surge voltage)				--		
接线螺丝(Wire clamp unit Screw) , 最大扭矩( torque Max. )				--		
固定螺丝(Mounting Screw) , 扭矩(torque)				--		
剥线长度(Wire stripping length)				--		
使用温度(Operating temperature)				-40°C up to +125°C		
焊接方式(Soldering recommend)				--		

■ 订购方式(How to order)

