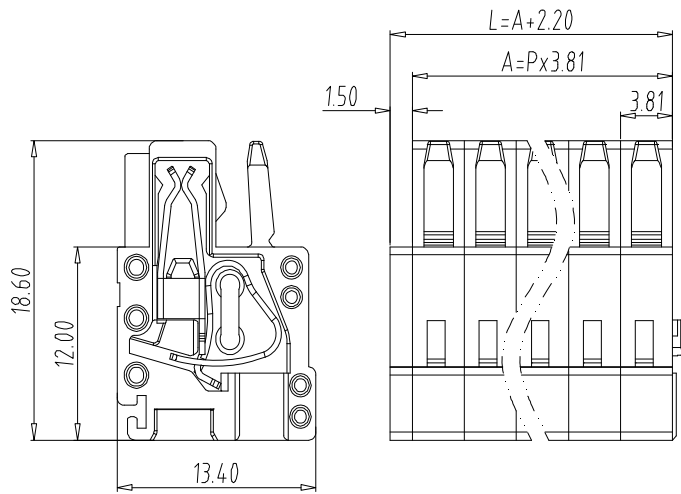


Multi Connection System — TLC series (Female Connector) — TLCP-100



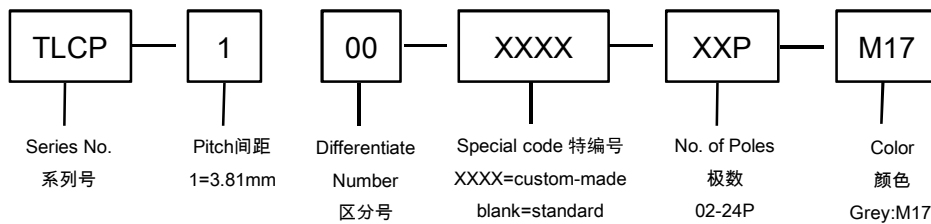
图示(Pic. shown) : TLCP-100-04P-M17

General. Multi Connection System Rated : 250V,12A , 1.5mm²
Single row , 3.81mm pitch , 02-24 Pole
Wiring orientation: 180°(wire to plug-in)
Spring clamp unit.

认证 (Approval) :

技术参数 Technical Data	UL standard			IEC standard		
UL应用组别(UL Application group)	UL Application group			IEC过电压别/污染等级(IEC overvoltage category /pollution degree)		
IEC过电压别/污染等级(IEC overvoltage category /pollution degree)	B	C	D	III / 3	III / 2	II / 2
额定电压(Rated voltage)	300V	/	300V	/	250V	/
额定电流(Rated current)	12A	/	10A	/	12A	/
额定连接容量(Rated connection capacity)	28-14AWG Sol&Str			0.08-1.5mm ² Sol&Str		
绝缘材料(Insulation Material)	PA66 ; UL94-V0					
电流承载部件材料和镀层(Material & Plating of Current carrier)	Copper alloy , Tin plated					
接线弹片材料(Material of Clamp spring)	Stainless Steel					
绝缘电阻(Insulation Resistance)	500MΩ or more at DC500V					
耐电压(1分钟)(Withstanding Voltage/1Min)	AC2200V/Min					
额定冲击电压(Rated surge voltage)	4000V					
接线螺丝(Wire clamp unit Screw) , 最大扭矩(torque Max.)	--					
固定螺丝(Mounting Screw) , 扭矩(torque)	--					
剥线长度(Wire stripping length)	7.0mm					
使用温度(Operating temperature)	-40°C up to +115°C					
焊接方式(Soldering recommend)	--					

订购方式(How to order)



Web:www.china-tianli.com TEL:+86-574-6347-9600,6389-6436 Mail : sale@china-tianli.cn
地址:中国浙江省宁波杭州湾新区庵东工业园区纬三路138号
ADD : 138 , Weisan Rd.,Andong Development Zone, Hangzhou Bay Area, Ningbo, Zhejiang, China

接线操作杆 Operating lever



P/N:
TLC-A02

针座 (Pin header)



P/N : TLCH-100V
Orientation :
90° (plug-in to board)
Rated:250V,12A



P/N : TLCH-100R
Orientation :
180° (plug-in to board)
Rated:250V,12A