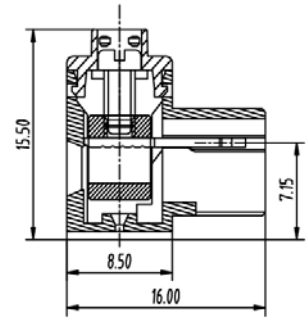
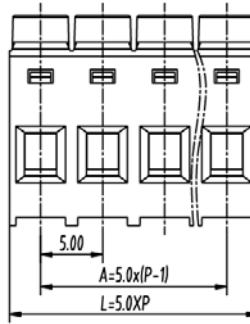
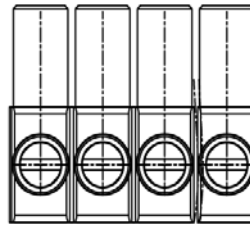


PCB Connector — TLP series ( Female Connector )— TLPS-225



**图示(Pic. shown) : TLPS-225-04P-M17S**

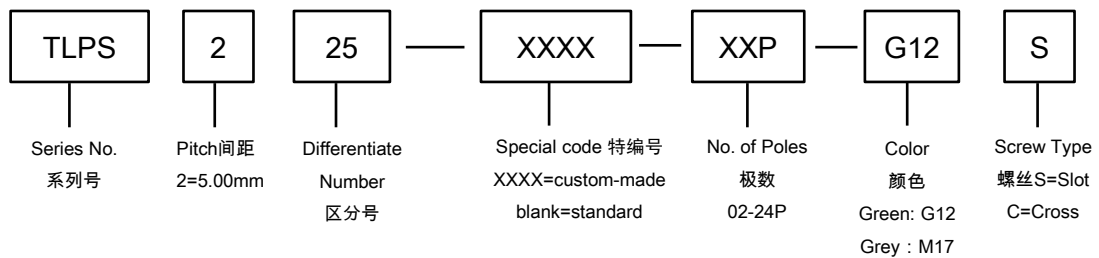
General:	PCB Connector Rated : 320V,17.5A , 2.5mm <sup>2</sup>
	Single row , 5.0mm pitch , 02-24 Pole
	Wiring orientation: 180°(wire to plug-in )
	Screw clamp unit: M2.5, 0.4Nm Max

认证 ( Approval ) :



技术参数 Technical Data	UL standard			IEC standard		
UL应用组别(UL Application group)	UL Application group			IEC过电压别/污染等级(IEC overvoltage category /pollution degree)		
IEC过电压别/污染等级(IEC overvoltage category /pollution degree)	B	C	D	III / 3	III / 2	II / 2
额定电压(Rated voltage)	300V	--	300V	--	320V	--
额定电流(Rated current)	15A	--	10A	--	17.5A	--
额定连接容量(Rated connection capacity)	28-12AWG Sol&Str			0.2~2.5mm <sup>2</sup> Sol&Str,4.0mm <sup>2</sup> Sol Max		
绝缘材料(Insulation Material)				PA66 UL94 V-0		
电流承载部件材料和镀层( Material & Plating of Current carrier )				Copper alloy , Tin plated		
接线弹片材料(Material of Clamp spring )				--		
绝缘电阻(Insulation Resistance)				500MΩ or more at DC500V		
耐电压(1分钟)(Withstanding Voltage/1Min)				2200V		
额定冲击电压(Rated surge voltage)				--		
接线螺丝(Wire clamp unit Screw) , 最大扭矩( torque Max. )				M2.5 , 0.4Nm Max		
固定螺丝(Mounting Screw) , 扭矩(torque)				--		
剥线长度(Wire stripping length)				6.5mm		
使用温度(Operating temperature)				-40°C up to +105°C		
焊接方式(Soldering recommend)				--		

**订购方式(How to order)**



Web:www.china-tianli.com

TEL:+86-574-6347-9600,6389-6436

Mail : sale@china-tianli.cn

地址:中国浙江省宁波杭州湾新区庵东工业园区纬三路138号

ADD : 138 , Weisan Rd.,Andong Development Zone, Hangzhou Bay Area, Ningbo, Zhejiang, China

■ 针座 ( Pin header ) — single row



P/N : TLPH-225

Orientation :

90° ( plug-in to board )

Rated:320V,17.5A